

## E4 Pro Flanged Trims

1.0

# VISUAL COMFORT & CO.

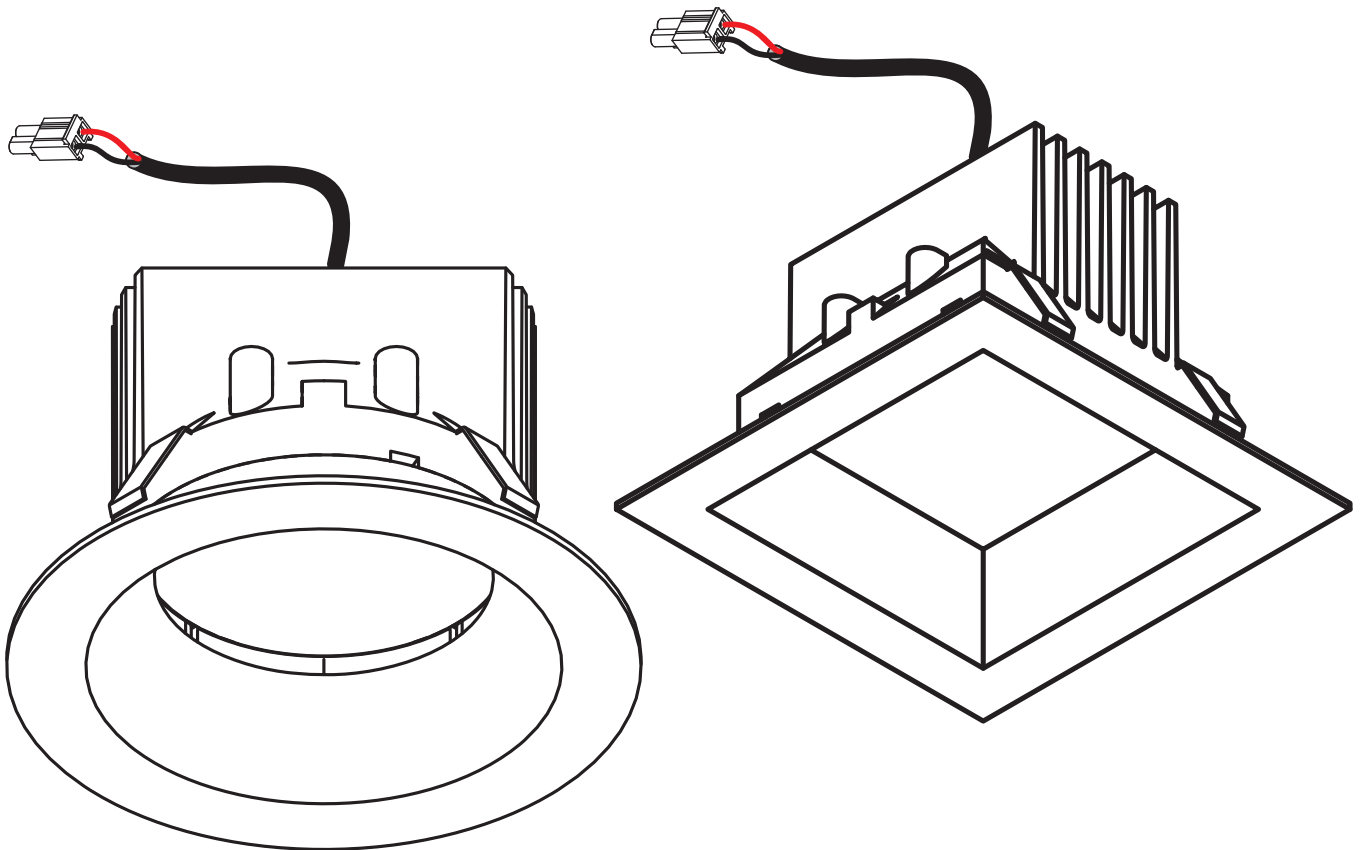
ARCHITECTURAL COLLECTION

FLANGED TRIMS

### GENERAL PRODUCT INFORMATION:

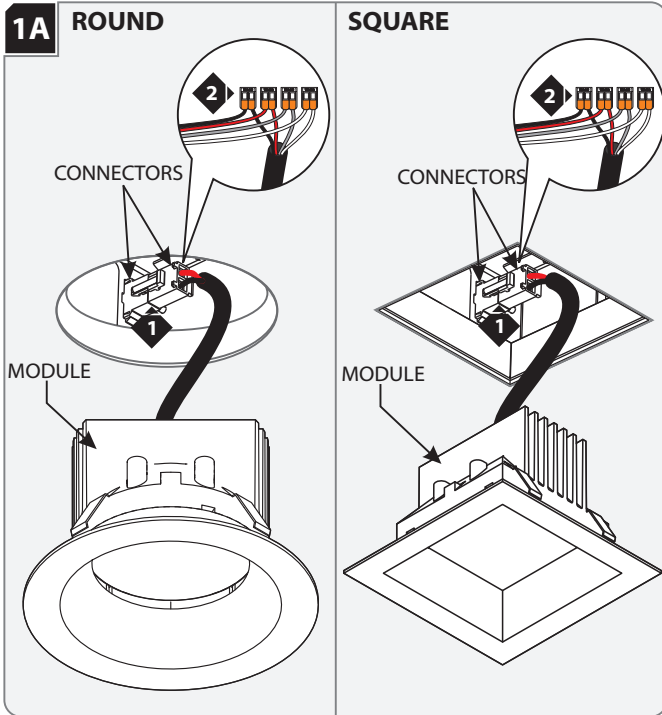
This product is suitable for indoor locations.

This instruction shows a typical installation.

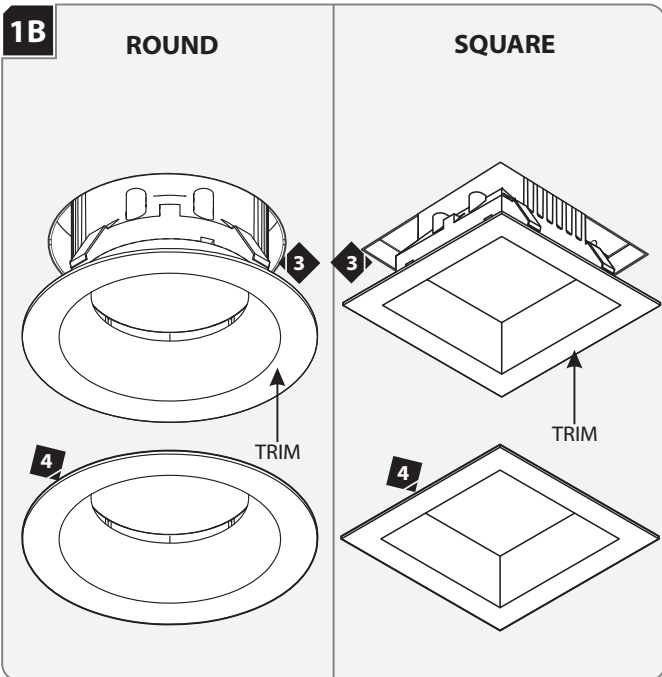


**SAVE THESE INSTRUCTIONS!**

# Install the Module and Trim



- 1 Connect the wall wash module to the fixture using the connectors. **Skip to step 3**
- 2 For Tunable White Versions, connect each module wire to the corresponding Wago connector.



- 3 Align the trim with the inner edge of the collar.
- 4 Push the trim up until it snaps flush to the ceiling.

## Thick Ceiling Module

